

标准配置 Standard Equipment

AC行走电机	AC travelling motor
AC起升电机	AC Lifting motor
AC转向电机	AC steering motor
电制动	Electrical brake
DC/DC转换器	DC/DC converter
低噪声齿轮泵	Low noisy gear pump
三片阀	Control valve(three throw)
3000mm两节基本型门架	3000mm two-stage mast
标准货叉	Standard fork
挡货架	Backrest
聚氨酯轮胎	Polyurethane tyre
LED液晶仪表	LED meter
前工作灯	Front working light
蓄电池垂直更换	Vertical battery change
后视镜	Rearview mirror
机械杆操作	Mechanical lever operation
货叉倾斜	Fork tilting
倒车蜂鸣器	Backward buzzer
合力包装	HELI package
储物盒	Storage box
文件夹	Folder

可选配置 Optional Equipment

三节全自由门架	Three-stage full free lift mast
其他高度两节基本型门架	Two-stage mast(other lifting height)
其他长度货叉	Fork with other length
四片阀	Control valve(four throw)
监控系统	Monitoring system
警示灯	Warning light
蓝色聚光灯	Blue spotlight
整体式侧移器	Integral sideshifter
车载充电器	On-board charger
后工作灯或车后蓝光灯	Rear working light or Rear blue light
风扇	Fan
灭火器	Fire extinguisher
车联网	Truck networking
中性包装	Neutral package
其他锂电池	Other lithium battery
其他车体颜色	Alternative colour schemes

配置号 Configuration number	配置 Configuration
A2RLIG2	手动换向阀 Manually operated valve
	机械手柄控制液压功能 Mechanical handle control hydraulic functions
	ZAPI行走电机控制器 ZAPI travelling motor controller
	ZAPI起升电机控制器 ZAPI lifting motor controller
	ZAPI转向电机控制器 ZAPI steering motor controller
	货叉倾斜 Fork tilt

Industrias Movilift SRL. Representante Oficial en Argentina
 Sucursal Garin: Colectora Oeste Panamericana Ruta 9, km37,5 Garin,
 Sucursal Haedo: Cabo Morando 2758, esq. Colectora Acceso Oeste
 Buenos Aires Argentina. - Tel. (011) 4106-1600 y rotativas.
www.movilift.com.ar



1.5-1.8 t
 G2系列站式锂电池
 前移式叉车(80V)

G2 SERIES LITHIUM BATTERY
 POWERED REACH TRUCK
 (STAND-ON TYPE)(80V)



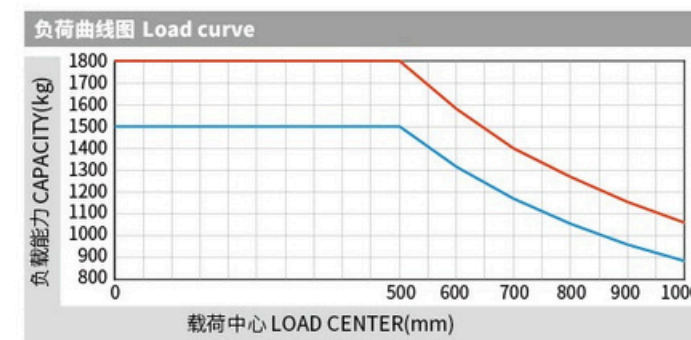
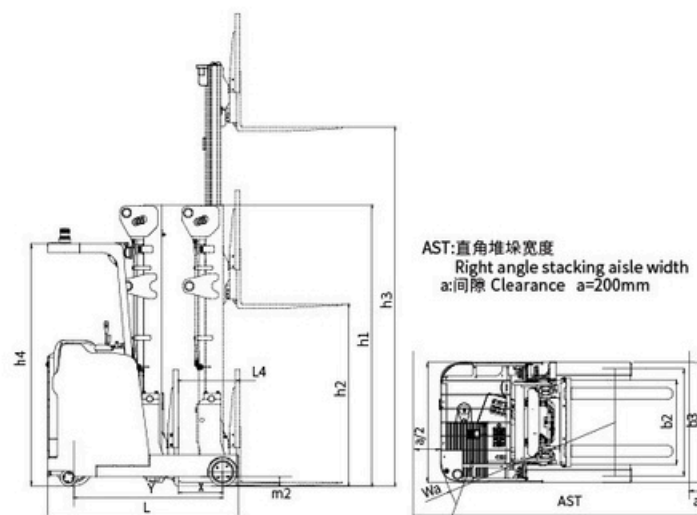
G2 系列 1.5-1.8 t LITON



制造商和技术参数 Manufacturer's Data and Design Characteristics

特性 Character	HELI	
1.01 制造厂商	Model	CQD15 CQD18
1.02 型号	Configuration number	A2RLIG2 A2RLIG2
1.03 配置号	Load capacity	Q kg 1500 1800
1.04 额定承载能力	Load center distance	C mm 500
1.05 载荷中心距	Power mode	锂电池 Lithium Battery
1.06 动力形式	Driving mode	站驾 Stand-on
1.07 驾驶方式	Wheel base	Y mm 1350 1500
1.08 轴距	Tyre	
2.01 轮胎类型	Wheels number,drive/caster/load (x-driven wheels)	聚氨酯 Polyurethane 1X/2/2
2.02 轮胎数量,驱动轮/辅助轮/承重轮(X=驱动轮)	Track Width,load	b3 mm 976
2.03 轮距(承载轮)	Wheel size,load	mm ø254x114
2.04 承载轮尺寸	Wheel size,drive	mm ø330x114
2.05 驱动轮尺寸	Wheel size,caster	mm ø150x76
2.06 辅助轮尺寸	Size	
3.01 标准门架起升高度	Lift height	h3 mm 3000 3000
3.02 自由起升高度	Free lift	h2 mm 85 85
3.03 门架落地高度	Mast height,lowered	h1 mm 2005 2005
3.04 货叉尺寸,厚度/宽度/长度	Fork size, thickness/width/length	s/e/l mm 35x100x920 35x100x920
3.05 货叉调节宽度	Fork adjusting width	mm 200~665 200~665
3.06 车体长度(不含货叉)	Truck body length(fork excluded)	L mm 1729 1879
3.07 车体宽度	Truck body width	b1 mm 1090 1090
3.08 支腿内宽	Distance between support arms	b2 mm 772 772
3.09 支腿间距	Reach distance	l4 mm 585 735
3.10 前移距离	Height of overhead guard	h4 mm 2200 2200
3.11 护顶架高度	Ground clearance,below mast	m2 mm 80 80
3.12 最小离地间隙(门架处)	Turning radius	Wa mm 1590 1730
3.13 最小转弯半径	Load distance,centre of support arm wheels to face of fork	X mm 410 560
3.14 货叉前表面至承重轮中心距离	1100Lx1100W,clearance,200	Ast mm 2690 2720
3.15 直角堆垛宽度(托盘1100Lx1100W,间隙200)	1000Lx1100W,clearance,200	Ast mm 2650 2690
3.16 直角堆垛宽度(托盘1000Lx1200W,间隙200)	Performance	
4.01 行驶速度,满/空载	Travelling speed,with/without load	km/h 10/10.5 10/10.5
4.02 起升速度,满/空载	Lifting speed,with/without load	m/s 0.32/0.56 0.3/0.56
4.03 下降速度,满/空载	Lowering speed,with/without load	m/s 0.5/0.48 0.5/0.48
4.04 前移速度,满/空载	Reach speed,with/without load	m/s 0.19/0.19 0.19/0.19
4.05 最大爬坡能力,满/空载(S2-5min)	Maximum climbing ability,with/without load (2-5min)	% 15/28 15/28
5.01 整车自重(含电池)	Total weight(with battery)	kg 2380 2420
5.02 电池重量	Battery weight	kg 250 250
6.01 电池电压/电池容量k5	Battery voltage/capacity k5	V/Ah 80/150 80/150
6.02 电池箱体尺寸	Battery box dimension	mm 1040x312x575 1040x312x575
7.01 驱动电机功率	Drive moter power	kw 6 6
7.02 起升电机功率	Lifting moter power	kw 12 12
7.03 转向电机功率	Steering moter power	kw 0.6 0.6
7.04 变速箱	Transmission box	合力专用变速箱 HELI special transmission box
7.05 行车制动	Service brake	电制动 Electrical

注: 锂电池具体品牌及其容量大小, 请咨询销售或技术人员。
 NOTE: Detailed information about lithium battery, please contact our salesman or engineer.



能量再生技术
 RENEWABLE ENERGY TECHNOLOGIES

应用交流控制能量再生技术, 叉车更节能, 锂电池单作业循环时间最大延长15%。

With the use of AC controlling renewable energy technologies, the forklift is more energy-saving and the working hour of the battery is extended by 15%.



宽视野基本型门架 WIDE VIEW MAST

门架型号 Mast model	起升高度h3 Lifting height (mm)		自由起升高度h2 Free lifting height(mm)		门架落地高度h1 Mast height, lowered(mm)		额定起重量 Load capacity(kg)		货叉倾角(前/后) Forks tilt angle (front/rear) α/β
	CQD15	CQD18	CQD15	CQD18	CQD15	CQD18	CQD15	CQD18	
M300	3000	3000	85	85	2005	2005	1500	1800	2°/5°
M350	3500	3500	85	85	2255	2255	1500	1800	2°/5°
M400	4000	4000	85	85	2555	2555	1500	1800	2°/5°
M450	4500	4500	85	85	2805	2805	1450	1700	2°/5°
M500	5000	5000	85	85	3055	3055	1350	1550	2°/5°

宽视野三节全自由门架 WIDE VIEW FULL FREE 3-STAGE MAST

门架型号 Mast model	起升高度h3 Lifting height (mm)		自由起升高度h2 Free lifting height(mm)		门架落地高度h1 Mast height, lowered(mm)		额定起重量 Load capacity(kg)		货叉倾角(前/后) Forks tilt angle (front/rear) α/β
	CQD15	CQD18	CQD15	CQD18	CQD15	CQD18	CQD15	CQD18	
ZSM460	4600	4600	1163	1163	2195	2195	1450	1700	2°/5°
ZSM500	5000	5000	1295	1295	2330	2330	1350	1550	2°/5°
ZSM540	5400	5400	1428	1428	2460	2460	1200	1400	2°/5°
ZSM570	5700	5700	1528	1528	2560	2560	1100	1300	2°/5°
ZSM600	6000	6000	1628	1628	2660	2660	1000	1150	2°/5°
ZSM650	6500	6500	1795	1795	2830	2830	900	1050	2°/5°
ZSM675	6750	6750	1875	1875	2910	2910	850	1000	2°/5°

G2 系列 / SERIES 1.5-1.8 t LITHION

» 整车优势

FEATURES OF THE COMPLETED TRUCK

三相交流电机技术

Three phase AC type motor technology

- 行驶, 起升和转向均采用三相交流电机控制
- 强大的加速性
- 变换行驶方向灵敏迅速无迟滞
- 无碳刷的免维护电机寿命更长, 维护费用更低, 减速时进行能量回收, 操作时间更长
- Three phase AC type motor control on travelling, lifting and steering
- Good acceleration
- Fast and sensitive respond on travel direction shifting
- Free from maintenance motor without carbon brush having long service life and low maintenance cost, Energy regenerating during deceleration extending operation hours

全新的液压设计

Newly designed hydraulic system

- 全新的液压设计, 使液压系统的工作效率更高
- 大功率的起升电机
- MOSFET起升调速电控
- 新型无侧隙齿轮技术低噪音齿轮泵, 工作效率高, 使用寿命长
- 最大空载起升速度提高22%
- 最大满载起升速度提高19%
- Newly designed hydraulic system with high working efficiency
- High power lifting motor
- MOSTET lifting speed governing electric controller
- New type low noisy gear pump, high efficiency and long life
- Max. lifting speed without load 22% increased
- Max. lifting speed with load 19% increased

更加优化的智能型设计

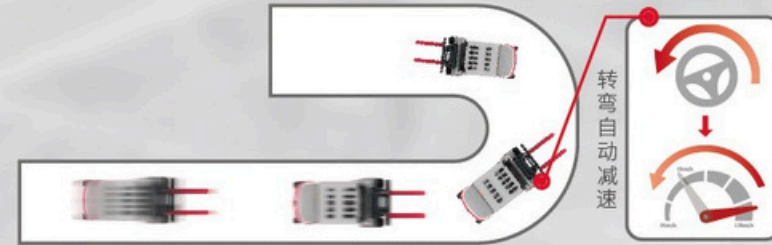
Optimized intelligent design

- CAN总线技术
- 坡道停车自制动
- 操作顺序保护
- 行驶速度控制
- 起升速度控制
- 电控自保护
- 与行驶互锁的脚踏开关
- CAN bus technology
- Parking brake on slope
- Operation sequence protection
- Travelling speed control
- Lifting speed control
- Electric controller self protection
- Dead-man footswitch traction interlock

先进的EPS电子动力转向

Advanced EPS electric powered steering

- EPS电子动力转向, 为整车提供了轻便灵活, 高效静音的操作
- 转向电机控制器
- 自动对中功能
- 转向自动限制速度和加速度
- EPS electric power steering offering easy, flexible, high efficient and mute operation
- Steering motor controller
- Automatic centering function
- Automatic limit on speed and accelerated speed when steering



五套独立的制动系统

Five independent braking systems

- 释放加速手柄的电流再生制动
- 松开脚踏开关启动紧急行驶制动
- 按钮触发的驻车制动
- 自动启动的驻车制动
- 紧急断电开关
- Automatic braking when accelerator lever is released
- Emergency brake activated by releasing foot switch
- Parking brake activated by pressing button on the panel
- Automatic hold-on brake
- Emergency isolator

操作显示器 Displayer



- 高品质的控制仪表可显示绝大多数重要的运行参数
- 180°转角位置显示
- 电瓶电量情况与故障代码显示
- 选择行驶模式
- 起升锁止指示
- 小时计
- 工时显示
- High quality meter displaying important operating data
- 180° steering angle position display
- Display of battery power and fault code
- Travelling mode selection
- Lifting lock indication
- Hour meter
- Labor hour display



www.heli.com.ar

宽视野门架 Wide view mast

- 在载荷方向拥有绝佳的视野
- 整体式货叉架
- 起升高位时, 剩余载荷大
- 起升和下降过程缓冲
- 起升和下降极限缓冲
- 门架前移与后移极限缓冲
- 起升高度系列范围:3000-6750mm
- Good view when loaded
- Integral backrest
- High residual load capacity at high lift height
- Buffering during lifting and lowering
- Buffering on lifting and lowering limit
- Buffering on mast moving forward and backward limit
- Lift height range:3000-6750mm

舒适的驾驶室 Comfort cab

- 司机的身体受到车体的全面保护
- 重要操作部分均触手可及
- 增加上车扶手
- The driver's body is fully protected within the truck contours
- Easy reach to important operation
- Handrail



上车扶手

安全防护挡板

上车踏板高度
250mm

